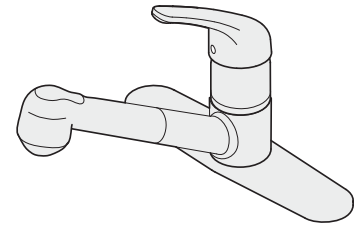


Location:

SYMMONS® Andora™

Kitchen Faucet S-26-IPS Specification Submittal



Model Numbers

- S-26-IPS Kitchen faucet with pullout spray spout

Finish Options

Append appropriate -suffix to model number.

- STN Satin Nickel Finish
- STS Stainless Steel Finish
 - Polished chrome (standard finish)

Options/Modifications

Append appropriate -suffix to model number.

- SM Single hole mount without deck plate
- W 6 inch lever handle
- LP Loop Handle
- 2.0 2.0gpm (7.6 L/min) flow restrictor
- 1.5 1.5 gpm (5.7 gpm) flow restrictor

Feature Highlights

- Single handle kitchen faucet with pull-out spray spout with retractable pull-out spray hose
- Pull-out spray spout has spray-to-stream touch control
- Integral vacuum breaker and ceramic control components
- Standard flow rate is 2.2 gpm (8.3 gpm)
- 1/2 inch IPS connections
- Metal construction, polished chrome finish (standard)
- Single hole or 3 hole mount installation (includes optional escutcheon)

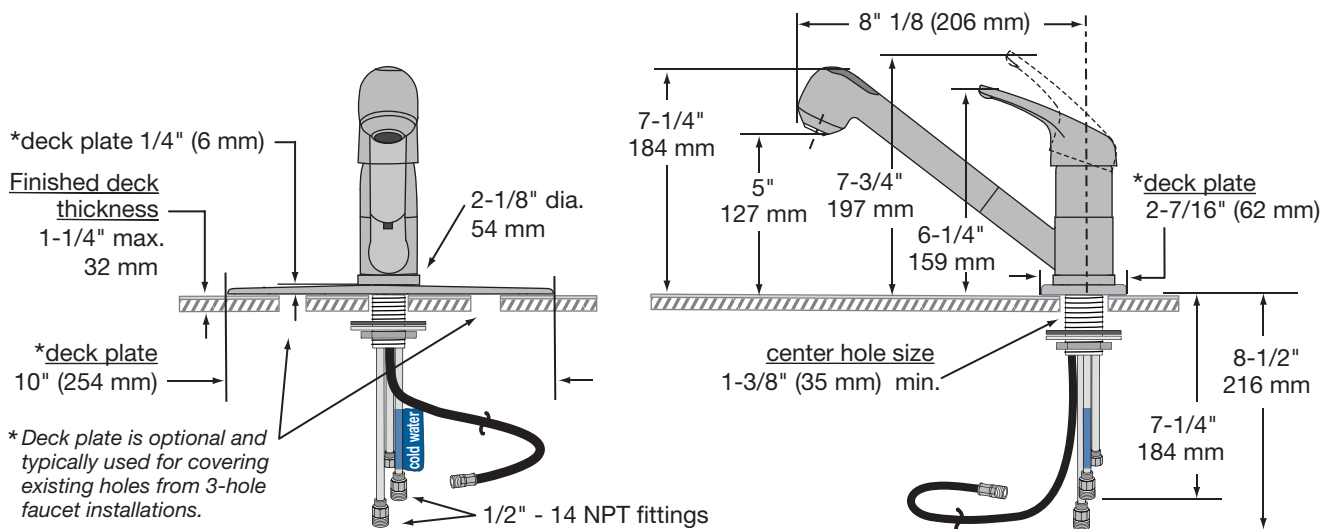
Standards / Certifications

ASME A112.18.1-2005/CSA B125.1-05

Warranty

- Limited Lifetime - to the original end purchaser in consumer installations.
- 5 years - for commercial installations

Dimensions Andora Kitchen Faucet, S-26-IPS



Symmons Industries, Inc. ■ 31 Brooks Drive ■ Braintree, MA 02184
 (800) 796-6667, (781) 848-2250 ■ Fax (800) 961-9621, (781) 664-1300
 Website: www.symmons.com ■ Email: customerservice@symmons.com
 ©2009 Symmons Industries, Inc. Printed in U.S.A. ■ 051209

